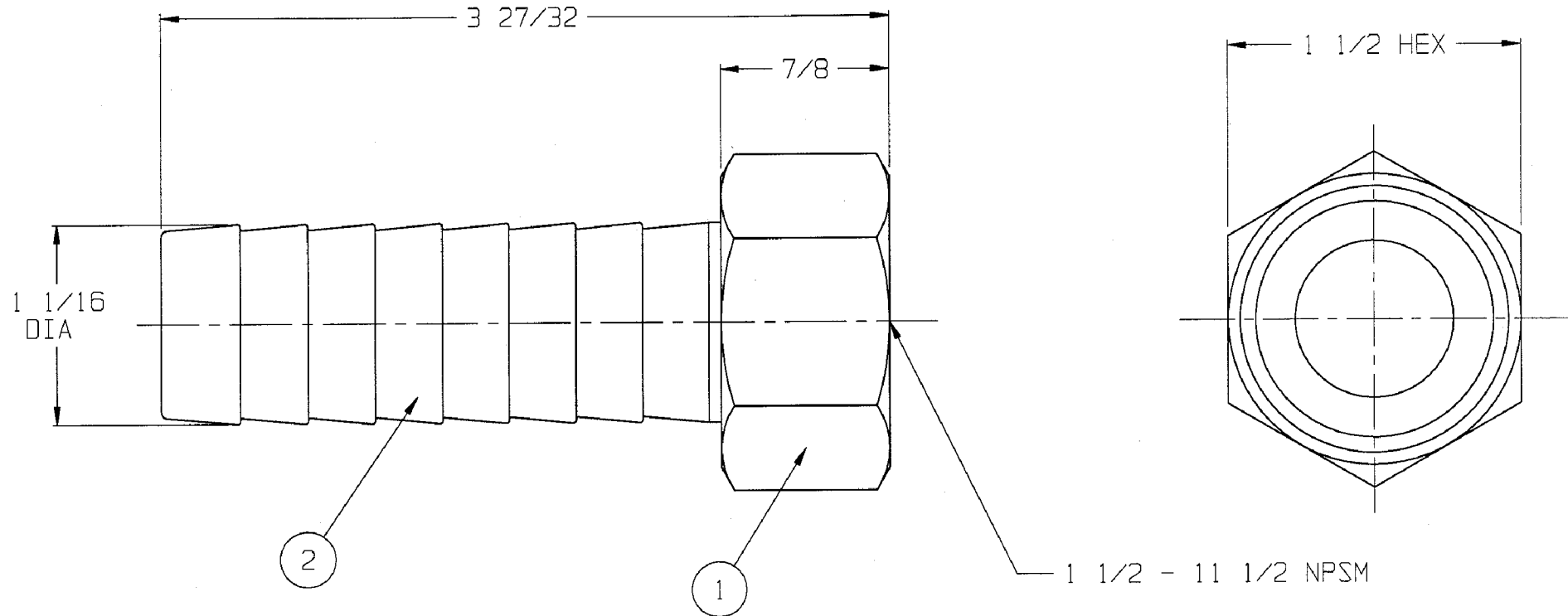


SLS-848

CUSTOMER DWG



1 1/2 - 11 1/2 NPSM

SEE NOTE 1
FOR ITEM 3

CUSTOMER DWG

NOTES:

- 1) COUPLING USES 'KRW-10' WASHER (ITEM 3) FOR SEALING.

(SEE NOTE 1)

AGREEMENT TO MAINTAIN CONFIDENTIALITY

This drawing is owned by Dixon Valve & Coupling Co. and shall be returned upon demand. It is loaned on condition that it shall not be copied or reproduced or submitted to others without the owners consent. In accepting it subject to this condition the recipient further agrees that this drawing or any design detail or concept disclosed herein shall not be used in any way detrimental to or in competition with the Owner. If the recipient does not agree to the terms of this agreement, they shall return this drawing immediately.



3	KRW-10	RUBBER	WASHER	1
2	SLS-838	STEEL	FEMALE SHANK	1
1	SLS-8	STEEL	NUT	1
ITEM #	PART NO.	MATERIAL	DESCRIPTION	QTY

DIXON VALVE & COUPLING CO.
U. S. A.

TITLE
1" - FEMALE LONG SHANK
WITH SWIVEL NUT

DRAWN BY: *Mato* 03/28/96
CHECKED BY: *a*
APPROVAL: *a*

MAT'L
SEE B/M

SLS-848