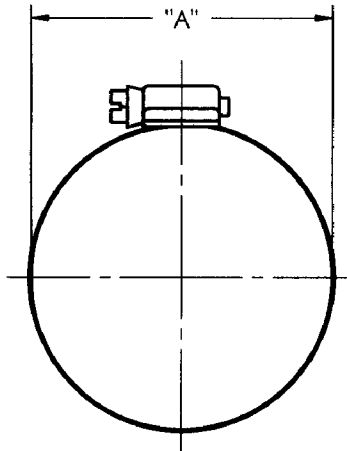


# HSXXX

CUSTOMER DWG



PART NO.		HOSE OD	BAND WIDTH	BUCKLE WIDTH
SEE NOTE 1	SEE NOTE 2	"A"	"B"	"C"
HS6	HSS6	28/64 - 50/64	1/2	11/16
HS8	HSS8	32/64 - 58/64	1/2	11/16
HS10	HSS10	36/64 - 1 4/64	1/2	11/16
HS12	HSS12	44/64 - 1 16/64	1/2	11/16
HS16	HSS16	52/64 - 1 32/64	1/2	11/16
HS20	HSS20	52/64 - 1 48/64	1/2	11/16
HS24	HSS24	1 4/64 - 2	1/2	11/16
HS28	HSS28	1 20/64 - 2 16/64	1/2	11/16
HS32	HSS32	1 36/64 - 2 32/64	1/2	11/16
HS36	HSS36	1 52/64 - 2 48/64	1/2	11/16
HS40	HSS40	2 4/64 - 3	1/2	11/16
HS44	HSS44	2 20/64 - 3 16/64	1/2	11/16
HS48	HSS48	2 36/64 - 3 32/64	1/2	11/16
HS52	HSS52	2 52/64 - 3 48/64	1/2	11/16
HS56	HSS56	3 4/64 - 4	1/2	11/16
HS60	HSS60	3 20/64 - 4 16/64	1/2	11/16
HS64	HSS64	3 36/64 - 4 32/64	9/16	3/4
HS72	HSS72	1 56/64 - 5	9/16	3/4
HS80	HSS80	2 32/64 - 5 32/64	9/16	3/4
HS88	HSS88	3 8/64 - 6	9/16	3/4
HS96	HSS96	3 40/64 - 6 32/64	9/16	3/4
HS104	HSS104	4 8/64 - 7	9/16	3/4
HS128	HSS128	5 40/64 - 8 32/64	9/16	3/4
HS152	HSS152	7 8/64 - 10	9/16	3/4
HS188	HSS188	9 24/64 - 12 16/64	9/16	3/4
HS200	HSS200	10 8/64 - 13	9/16	3/4
HS212	HSS212	10 56/64 - 13 48/64	9/16	3/4
HS224	HSS224	11 40/64 - 14 32/64	9/16	3/4
HS236	HSS236	12 24/64 - 15 16/64	9/16	3/4
HS248	HSS248	13 8/64 - 16	9/16	3/4
HS312	HSS312	17 8/64 - 20	9/16	3/4

**NOTE:**

- 1) MATERIAL: 300 STAINLESS STEEL HOUSING AND BAND WITH 1018 PLATED STEEL SCREW.
- 2) MATERIAL: 300 STAINLESS STEEL HOUSING AND BAND WITH 305 STAINLESS SCREW.

CUSTOMER DWG

**AGREEMENT TO MAINTAIN CONFIDENTIALITY**

This drawing is owned by Dixon Valve & Coupling Co. and shall be returned upon demand. It is loaned on condition that it shall not be copied or reproduced or submitted to others without the owners consent. In accepting it subject to this condition the recipient further agrees that this drawing or any design detail or concept disclosed herein shall not be used in any way detrimental to or in competition with the owner. If the recipient does not agree to the terms of this agreement they shall return this drawing immediately.



The Right Connection™

**DIXON VALVE & COUPLING CO.  
U. S. A.**

TITLE

STYLE HS AND HSS WORM GEAR CLAMPS

DRWN BY:

MHM  
6-14-04

CHECKED BY:

APPROVAL:

*J. W. H.*  
6/14/04

MATL:

SEE ABOVE

**HSXXX**