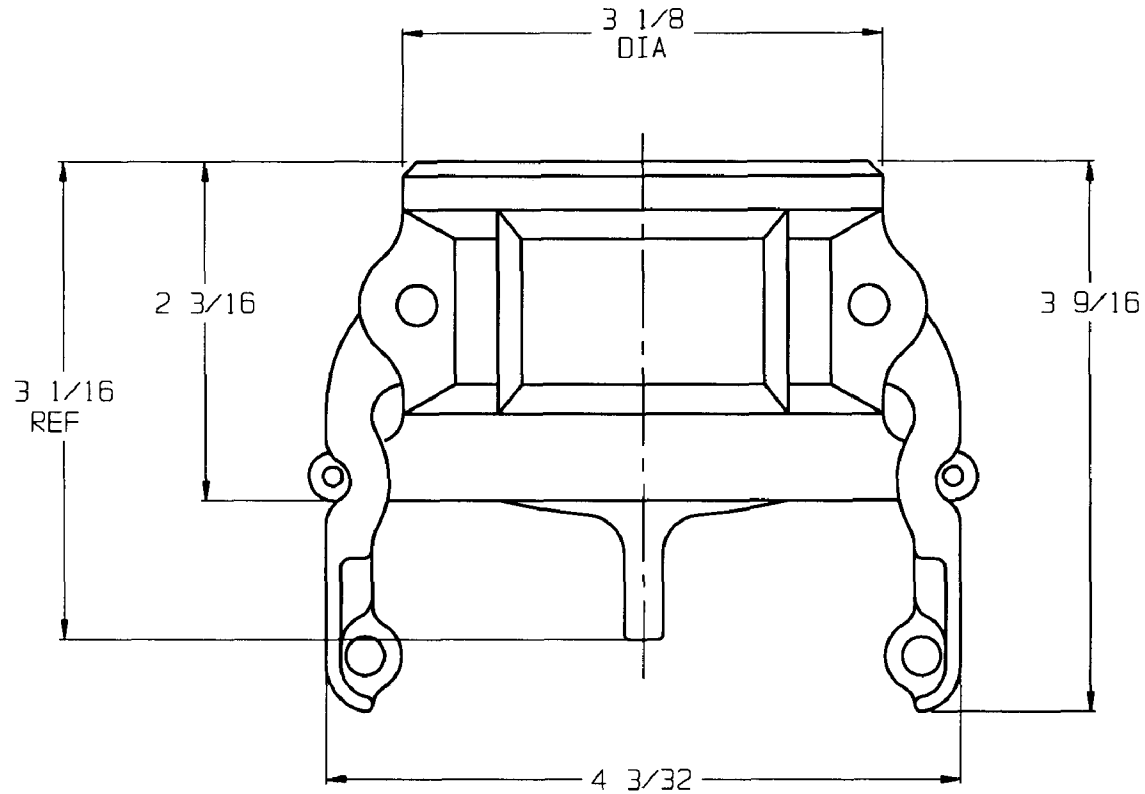


H200BL

CUSTOMER DWG



AH200
BH200
IH200

DISTANCE ACROSS OPEN
CAM ARMS: 8 5/32

CUSTOMER DWG

AGREEMENT TO MAINTAIN CONFIDENTIALITY

This drawing is owned by Dixon Valve & Coupling Co. and shall be returned upon demand. It is loaned on condition that it shall not be copied or reproduced or submitted to others without the owners consent. In accepting it subject to this condition the recipient further agrees that this drawing or any design detail or concept disclosed herein shall not be used in any way detrimental to or in competition with the Owner. If the recipient does not agree to the terms of this agreement, they shall return this drawing immediately.



DIXON VALVE & COUPLING CO.
U. S. A.

TITLE

2" BOSSLOCK DUST CAP

DRAWN BY:

Kristy
12/06/06

CHECKED BY:

MHM
12-07-06

APPROVAL:

JJP
12/7/06

MAT'L ALUMINUM, BRASS
AND MALLEABLE IRON

H200BL